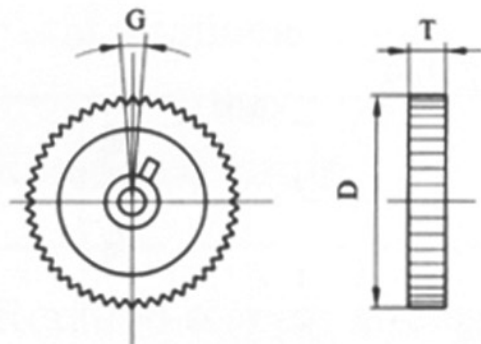


Dimensions of knob:



X	1	2	3	4	5	6	8	9	10
D	Ø14.0	Ø14.0	Ø16.0	Ø16.0	Ø18.0	Ø14.0	Ø14.0	Ø16.0	Ø16.0
T	0.8	1.0	2.0	2.8	1.0	0.8	1.0	2.0	2.8
G	90-4°	90-4°	90-4°	60-6°	90-4°	90-4°	90-4°	90-4°	60-6°
COLOUR	BLACK	BLACK	BLACK	BLACK	BLACK	IVORY	IVORY	IVORY	IVORY

Mechanical characteristics:

Total rotation angle	$270^{\circ} \pm 5^{\circ}$
Rotation torque	1 ~ 10mN.m (10~100gf.cm)
Push pull strength	10N(1kg)
Rototion stopper strength	5N(0.5kg)

Electrical characteristics:

Total resistance	5K Ω -500K Ω
Total resistance tolerance	$\pm 20\%$
Resistance taper	A , B , C
Rated power	curve B: 0.03W other than B: 0.0.2W
Max. operating voltage	curve B: 50V other than B: 50V
Residual resistance	between terminal 1-2: 10 between terminal 2-3: 10
Insulation resistance	more than 100M Ω at DC 250V
Withstand voltage	AC 100V (1 minute)
Gang error	-40 dB to 0 dB $\leq \pm 3$ dB

Durability:

Rotational life	10,000 cycles
-----------------	---------------