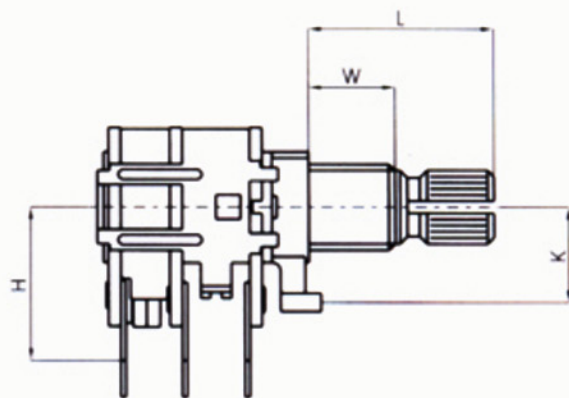
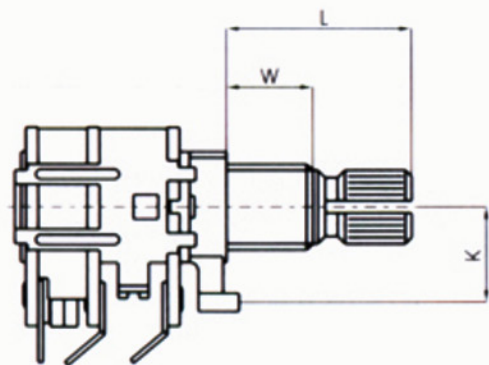
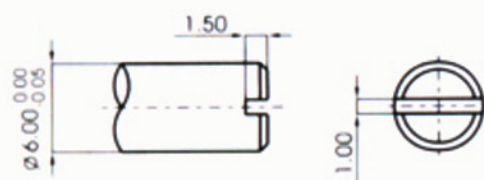


Type of shaft : 軸的型式 :



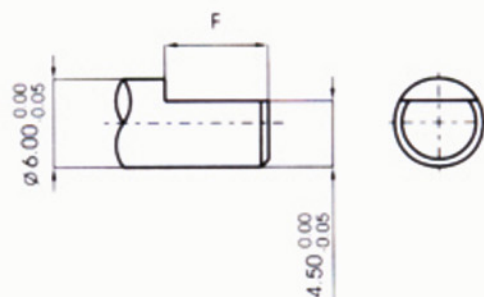
Z	1	2	
H	10	12.5	

Y	1	2	3	4			
W	7	5	7	5			
K	7.5	7.5	6	6			



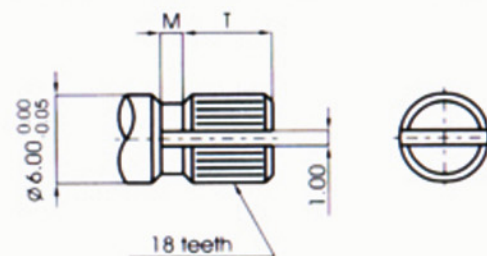
S TYPE:

X	Q	R	S				
L	15	20	25				



F TYPE:

X	A	B	C				
L	15	20	25				
F	7	12	12				



KQ TYPE:

X	2	3	4				
L	15	20	25				
T	6	8	12				
M	1	2	4				

Mechanical characteristics : 機械的性能:

Total rotational angle 總旋轉角度	$300^{\circ} \pm 10^{\circ}$
Rotational torque 旋轉力矩	2 ~ 20mN.m (20 ~ 204gf.cm)
Rotation stopper strength 止擋強度	0.3N.m (3kgf.cm)
Push pull strength 軸推拉強度	80N (8kgf) max.

Electrical characteristics:電氣的性能：

Total resistance 總阻值	B:5K Ω ~1M Ω other than B:5K Ω ~500K Ω (B以外)
Total resistance tolerance 總阻偏差	$\pm 20\%$ more than 1M Ω $\pm 30\%$
Rated power 額定功率	B:0.08W other than B:0.04W (B以外)
Max. operating voltage 最高使用電壓	B:150V AC other than B:100V AC (B以外)
Withstand voltage 耐電壓	AC 250V(1 minute)
Resistance taper 阻值綫性	A, B, C
Residual resistance 殘留阻值	$R \geq 250K \Omega$ 0.1% max. of total resistance $10K \Omega < R < 250K \Omega$ 20 Ω max. $R \leq 10k \Omega$ 10 Ω max.
Insulation resistance 絕緣電阻	more than 50M Ω at DC 500V
Gang error 同步誤差	-40 ~ 0dB $\leq \pm 3$ dB

Durability : 耐久的性能 :

Rotational life

旋轉壽命

10,000 cycles