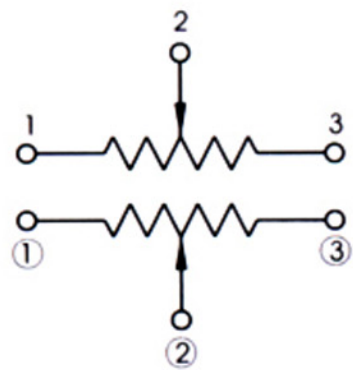
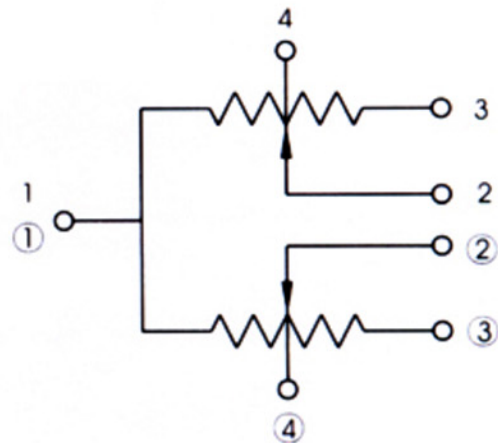


Circuit explanation 電路說明

G



Y



Specialty:特制品:

R1614G

Serial No.
Number of click
Resistance value
Pattern of resistance curve
Terminal length
Type of terminal
Shaft length

INSULATED SHAFT
METAL BUSHING

Z	A				
ML	5				

Type of shaft:軸的型式:

KQ TYPE:

X	0	2	3	4	5	6		
L	10	15	20	25	30	35		
T	8	12	12	12	12	12		

F TYPE:

X	N	I	O	P	Q	B	C	D	E
L	9	10	14	15	20	20	25	30	35
F	9	7	9	12	12	12	12	12	12
C	0.5	0.5	0.5	0.5	1.5*1.0	0.5	0.5	0.5	0.5

Mechanical characteristics: 機械的性能：

Total rotational angle 總旋轉角度	$300^{\circ} \pm 5^{\circ}$
Rotational torque 旋轉力矩	2 ~ 15mN.m (20 ~ 150gf.cm)
Rotation stopper strength 止擋強度	0.6N.m (6kgf.cm)
Push pull strength 軸推拉強度	50N (5kgf)

Electrical characteristics: 電氣的性能:

Total resistance 總阻值	5K Ω -2M Ω
Total resistance tolerance 總阻偏差	$\pm 20\%$ more than 1M Ω $\pm 30\%$
Rated power 額定功率	curve B:0.1W other than B:0.05W
Max. operating voltage 最高使用電壓	curve B:100V other than B:50V
Resistance taper 阻值規律	A, B
Residual resistance 殘留阻值	$R \geq 250K \Omega$ 0.1% max. of total resistance $10K \Omega < R < 250K \Omega$ 20 Ω max. $R \leq 10k \Omega$ 10 Ω max.
Insulation resistance 絕緣電阻	more than 100M Ω at DC 250V
Withstand voltage 耐電壓	for 1 minute or more at DC 250V

Durability:耐久的性能:

Rotational life

旋轉壽命

15,000 cycles